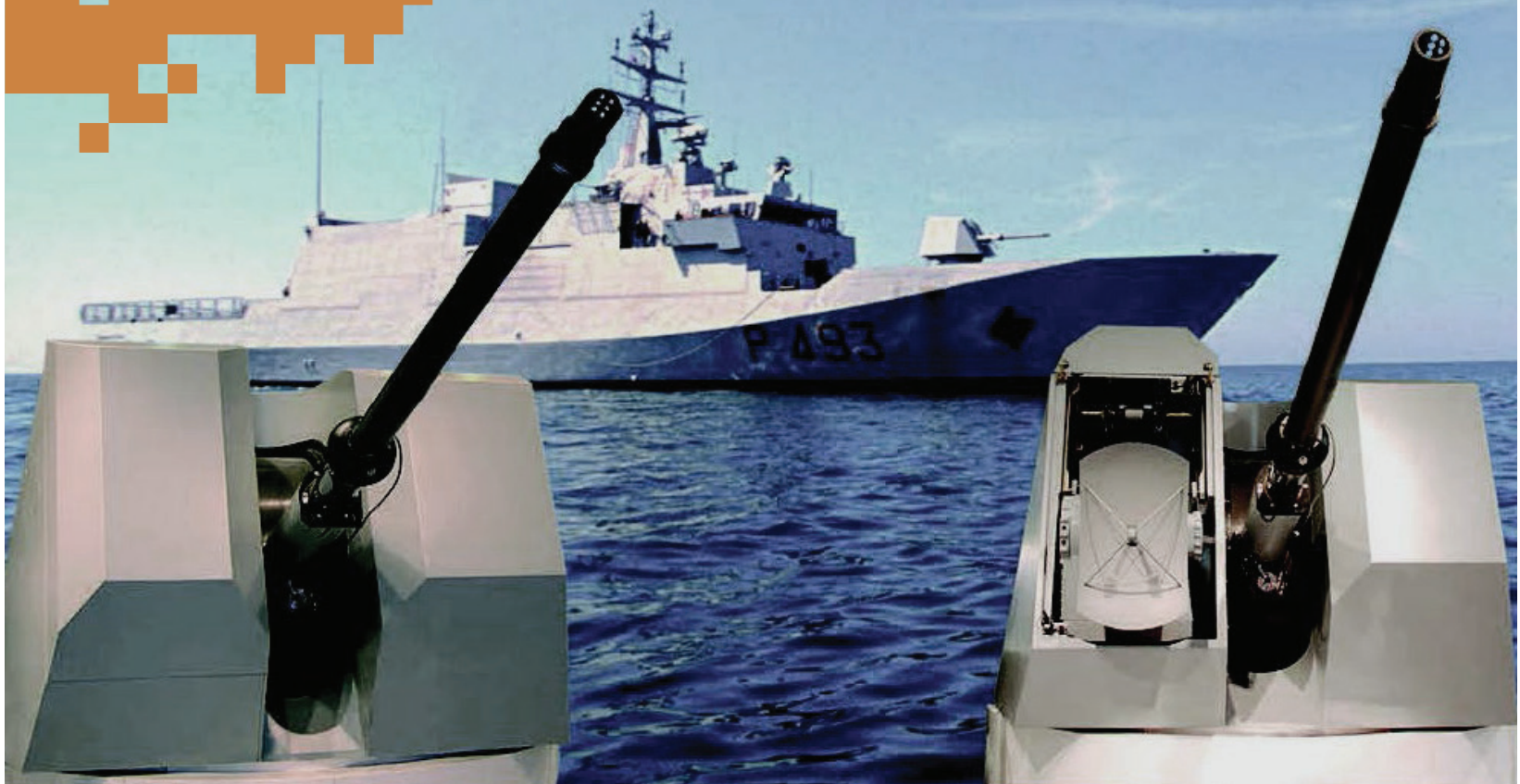


OTO STRALES
& OTO DART



OTO STRALES GUIDANCE SYSTEM FOR 76MM AND OTO DART AMMUNITION

The OTO STRALES system represents a remarkable evolution for the 76/62 naval artilleries which includes three main components: a 76/62 naval gun, OTO DART guided ammunition and a Radio Frequency Guidance System with associated electronic.

This System is the most effective response to the emerging requirements for medium calibre naval guns, demanding the highest level of lethality within evolving scenarios where multiple manoeuvring targets are to be simultaneously engaged, in Air Defence as well as in Anti Surface action.

The OTO STRALES is a very cost effective solution which keeps any advantage related to gun technology and boosts performance by increasing system accuracy to missiles level. Conceived as an add-on kit that can be integrated into the already in service OTO 76/62 gun mounts, OTO STRALES includes a Radio Frequency Guidance System provided with a mechanical frame to be connected to the gun-mount structure.

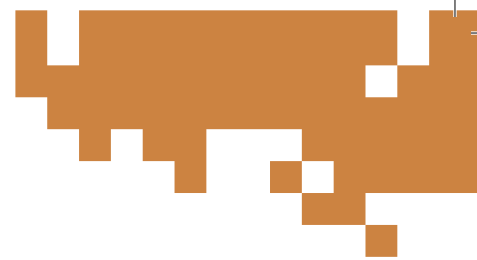
A new gun shield is provided with a watertight cover which can be automatically removed to deploy the guidance antenna; required electronic control unit is accommodated within suitable slots inside the OTO 76/62 New Control Cabinet. Once actual target position and stabilisation data are available, OTO STRALES operates as a stand alone system.

Designed to be compatible with any existing Combat Management System, OTO STRALES allows for all weather functioning.

The OTO DART projectile is equipped with the new DART microwave programmable multifunction fuse.

A new Multiple-Feeding (MF) ammunition loading system for the 76/62 mm is also available as a separate kit; this kit derives from OTO STRALES Double Feeding (DF), and is able to select any ammunition contained in the branches regardless of its position (typically, OTO DART and standard ammo).

OTO STRALES & OTO DART



MAIN CHARACTERISTICS

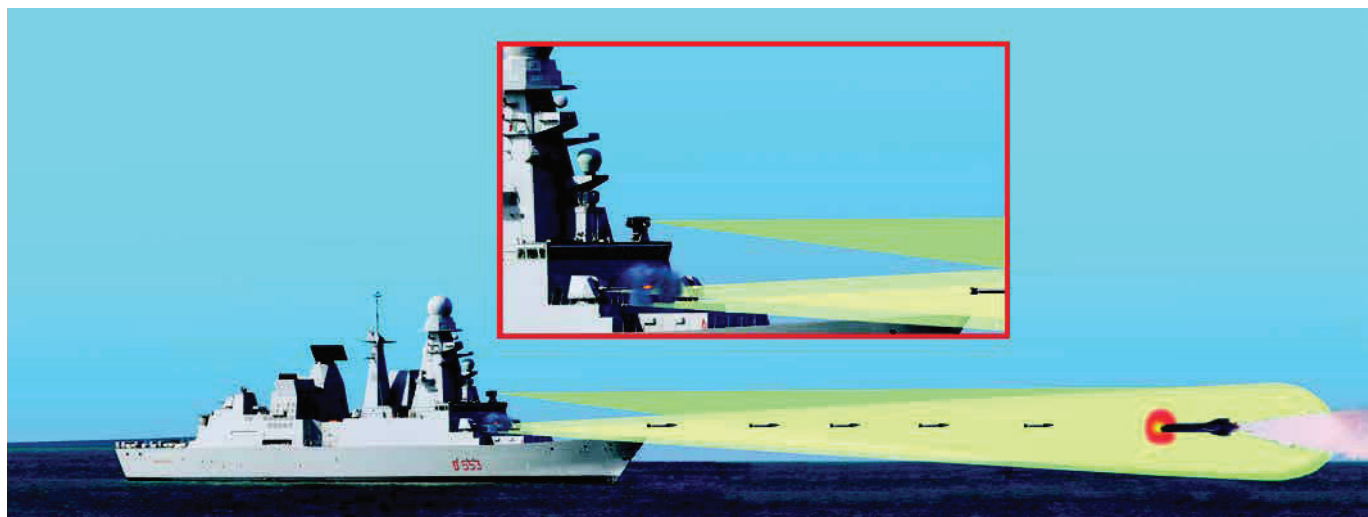
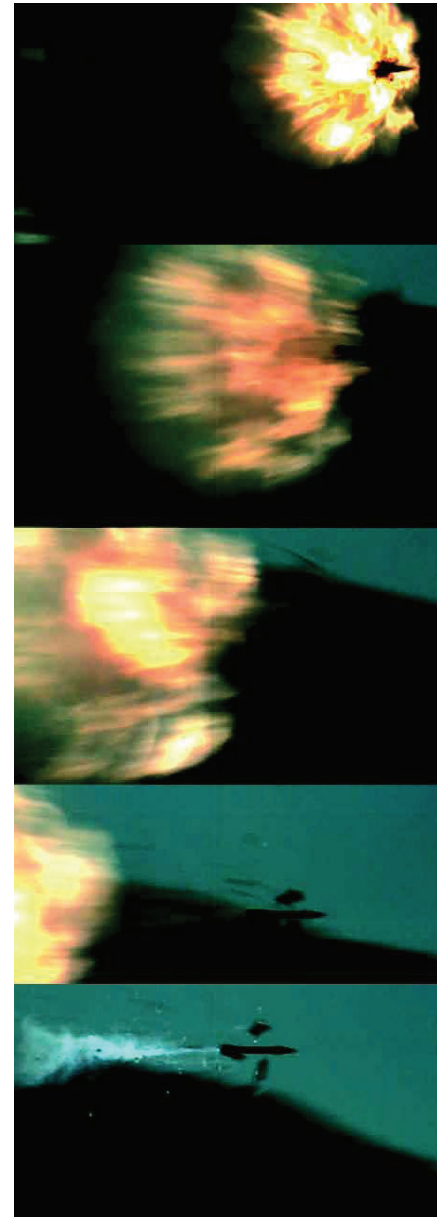
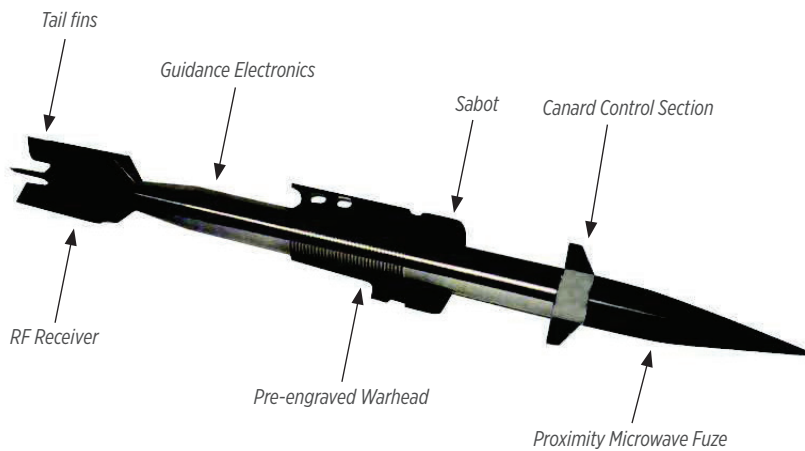
PROJECTILE WEIGHT AND LENGTH	
In barrel	4.2Kg
In flight	3.5Kg
Length	660 mm

FUZE FUNCTIONS	
Anti-air proximity	
Surface proximity	
Impact	
Delay impact	

FUZE CHARACTERISTICS	
Programmable during flight through RF beam	
ECM capability	
Low altitude operation	
Self destruction	
Altimetric guidance	

SYSTEM PERFORMANCE	
Effective operating range	>8Km
Initial velocity	1100m/s
Manoeuvrability	up to 40g

MULTIPLE FEEDING KIT FOR 76MM GUN	
Up to 20 ammunition type selectable	
Interchangeable to 76mm standard and double feeding	
89 rounds ready-to-fire	



For more information please email infomarketing@leonardocompany.com
 Leonardo - Finmeccanica S.p.A.
 Via Valdicocchi 15 - 19136 La Spezia - Italy - Tel: +39 0187 5811 - Fax: +39 0586 854060
 This publication is issued to provide outline information only and is supplied without liability for errors or omissions. No part of it may be reproduced or used unless authorised in writing. We reserve the right to modify or revise all or part of this document without notice.