

THE GAME CHANGER

AW609
TiltRotor





AW609

COMBINING THE SPEED OF A TURBOPROP, WITH THE ATTRIBUTES OF VERTICAL FLIGHT

The AW609 Tiltrotor revolutionises flying in the commercial vertical takeoff arena. Demonstrating AgustaWestland's commitment to innovation, it uniquely combines the attributes of fixed-wing and rotary-wing aircraft. It has the speed, range and high altitude above-the-weather capability of a fixed-wing turboprop coupled with the take-off and landing versatility of a helicopter.

This game changing combination offers customers new and better ways of conducting existing operations and the capability to provide new types of services in a wide range of roles including EMS, SAR, Offshore, Homeland Security, and Government and Corporate Passenger Transport.





PERFORMANCE

Flying at speeds of up to 275 kt and at altitudes up to 25,000 ft, the AW609 is capable of performing long-range missions with up to nine passengers and two crew with a full fuel load.

Two powerful PT6C-67A engines deliver Cat A Class 1 performance at MTOW. Advanced navigation systems and Fly-by-Wire technology with a full touch-screen digital glass cockpit reduce crew workload and maximise flight safety.

High OEI (One Engine Inoperative) performance coupled with a low noise footprint results in an aircraft suited also to flying over and into densely populated areas.





THE POINT TO POINT ADVANTAGE

Combining the speed of a turboprop with the attributes of vertical lift flight to avoid congested ground transportation systems, the AW609 provides fast and efficient point to point transport in all weathers, reducing journey times and improving operational effectiveness.

CORPORATE / VIP

Maximise personal time by using the quickest method of travel from one location to another for distances between 50 and 500 nautical miles. Take off, accelerate rapidly, fly above the weather in comfort, landing vertically at your destination. Avoid the wear and tear of time spent in congested surface transport by flying direct to the centre of business.

HOMELAND SECURITY / PARAPUBLIC

The AW609 is the ideal platform to support long-range surveillance operations and the control of illegal traffic, substances and immigration. The ability to operate up to 300 nm from the coast adds anti-piracy, protection of national waters and fisheries control to the wide range of security roles suited to the AW609.

OFFSHORE / RESOURCE DEVELOPMENT

For Oil & Gas operators the AW609 can carry up to nine passengers long range at speeds that cut journey times in half. Full Cat A performance ensures safety in operations even in single engine conditions. As rigs move further offshore this capability will set a new industry standard for long range transport and the AW609's ability to fly in full icing conditions enables operations anywhere in the world. Ashore the AW609 provides access to remote locations in support of new exploration programmes.

SAR

The pioneering combination of hovering flight, high speed, flight in full icing and long range make the AW609 an unrivalled asset for government or private SAR operations. Response times shrink when it matters most, even in the exceptionally difficult emergency situations created by natural disasters.

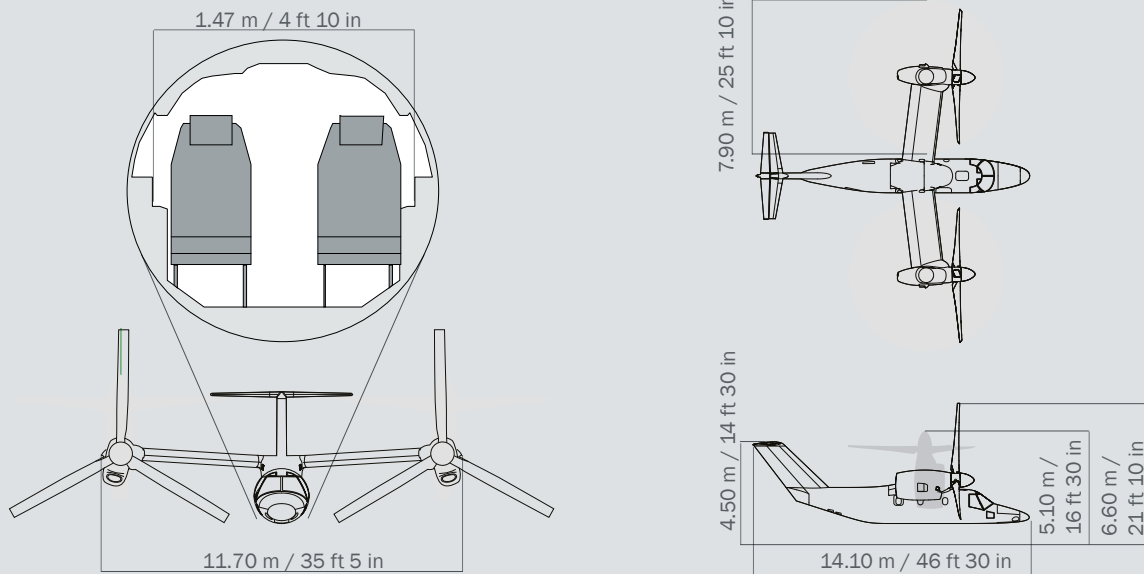
EMS / PATIENT TRANSFER

Gain vital, fast connectivity when transferring patients and or organs between hospitals and specialist medical centres. In time-critical scenarios the AW609 also allows inaccessible places to be reached quickly enabling operators to achieve the previously unachievable. In the pressurised cabin the possibilities for expert medical intervention with a broader range of treatment options expand. Up to four medics might be caring for up to two stretcher patients in the fully medically equipped cabin.





DIMENSIONS



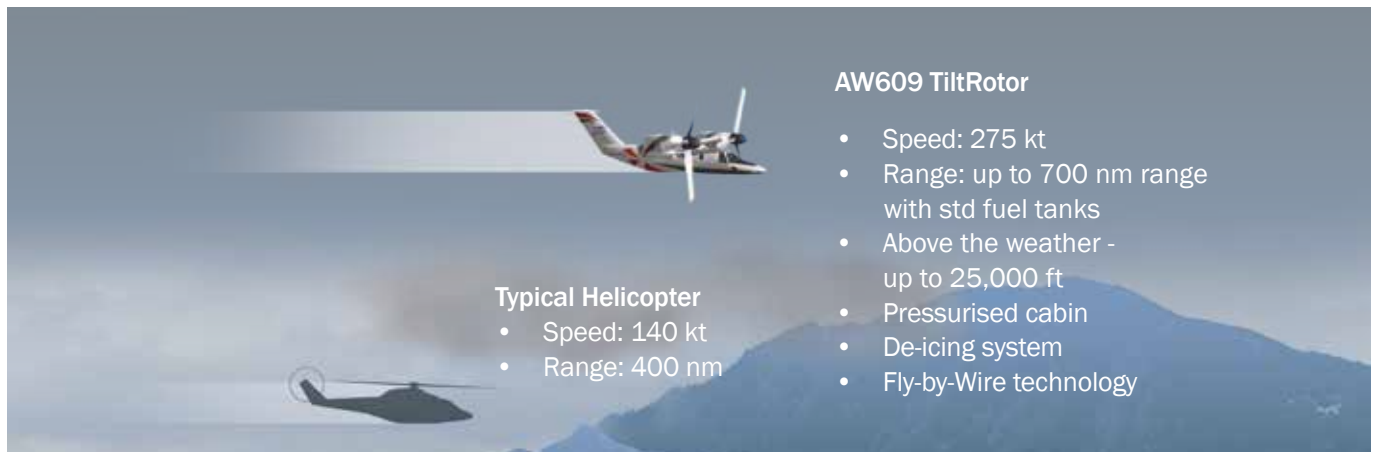
AW609 CHARACTERISTICS

MTOW (VTOL)	7,620 kg	16,800 lb
MTOW (STOL)	8,165 kg	18,000 lb
Max Cruise Speed	510 km/h	275 kt
Maximum Range (Std Tank)	1,296 km	700 nm
Service Ceiling (ISA)	11,364 m	25,000 ft
Hover OGE (ISA)	1,828 m	6,000 ft
Fuel load (Std tank)	1,125 kg	2,481 lbs
Crew / Passengers	2 + 9	
Powerplant	2 x PWC PT6C-67A	
Power - Take-Off (30 min)	1,447 kW	1,940 shp

Reduced journey time

Assumes access time to airport / heliport as follows:

AW609/Helicopter	15 minutes
Turboprop	40 minutes
Jet	60 minutes



AW609 TiltRotor

- Speed: 275 kt
- Range: up to 700 nm range with std fuel tanks
- Above the weather - up to 25,000 ft
- Pressurised cabin
- De-icing system
- Fly-by-Wire technology

Typical Helicopter

- Speed: 140 kt
- Range: 400 nm



Visit
agustawestland.com



You can also
follow us on:

