



JANUS RSTA **HIGH PERFORMANCE STABILISED MULTI SENSOR FOR LAND APPLICATIONS**

Designed to deliver combined medium and long range panoramic sight, day/night, all weather in rugged, self contained, compact package. The JANUS RSTA is an upgraded version of the field-proven, high performance stabilised multi sensor JANUS selected by the Italian Army to equip the Freccia multirole Armoured Vehicle (VBM).

JANUS RSTA incorporates Selex ES's high performance infrared staring focal plane array sensor technology for high resolution night vision, a high performance colour CCD TV, and to deliver hunter-killer capability, an eye-safe Laser Range Finder.

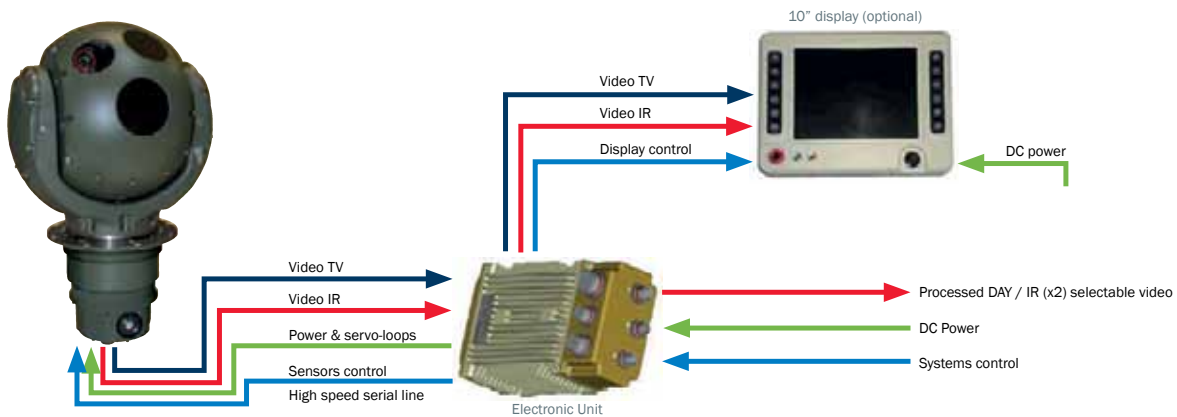
APPLICATIONS

- Land situation awareness
- Day and night surveillance
- Law enforcement
- Search and rescue
- Border and coastal surveillance.

KEY BENEFITS

- Air, ground and sea target tracking
- Ease of operation
- Detects stationary and moving targets
- Capable of stand alone or integrated operations.

SYSTEM CONFIGURATION



TECHNICAL SPECIFICATIONS

User Interface

Interfaces	RS/422, Ethernet 10/100, S-Video, CCIR, XGA
Controls	manual via joystick or by host system

System Performance

Elevation	-20° to +70°
Azimuth coverage	360° continuous
Stabilisation	2 axes gyro stabilised
Stabilisation accuracy	< 0.2 mrad RMS
Maximum acceleration	2 rad/s ²
Rotation speed	elevation 1.0 rad/s traverse 1.5 rad/s

Thermal Imager (Selex ES Full Format)

Detector type	HgCdTe (MCT) Staring focal plane array
Size	640 x 512
Pitch	16 µm
Operating temperature	-32° TO +49°
Operating voltage	28V DC (MIL STD 1275 B)
Resolution	MCT
Sensitivity	10 mK typical

Fields of view

WFOV	≥ 10° (H) x 7.5° (V)
NFOV	≤ 2.4° (H) x 1.9° (V)
Digital zoom	2x, 4x, 8x
LACE	YES
Video output	European standard CCIR or American standard RS170
Cooling system	IDCA

CCD TV

Horizontal resolution	530 TV lines
Zoom	
Optical	Continuous ≤ 1.7° to ≥ 42°
Digital	up to 12X
Video Output	standard PAL or LVDS

Laser Rangefinder

Eyesafe	1.54µm
Range	100m - 20,000m
Resolution	+/- 5m

Control Unit Functions

Picture in picture	
Automatic Video Tracker	
Digital zoom	
Image enhancement	
Image stabilisation refinement	
Built-in test equipment	autocalibration and functional test at start up/ on demand

Optional user console