



SPRINT MODULE™ **HIGH SPEED BROADBAND INFRARED SENSOR MODULE**

Selex ES designs, develops and manufactures infrared detectors at its dedicated facility in Southampton UK. With a reputation for providing customers with the best in high performance and cost-effective technology for IR camera systems, Selex ES offers a unique level of expertise, covering Mercury Cadmium Telluride (MCT) material growth, Read-Out Integrated Circuit (ROIC) design, volume detector manufacture, electro-optic and environmental test.

Using technology developed for high-performance thermal imaging systems, Selex ES has introduced a unique IR sensor module for scientific instrument applications. The Sprint Module™ uses a 2-Dimensional 384 x 384 pixel Mercury Cadmium Telluride (MCT) Focal Plane Array detector which offers a broad band spectral response from 2.0µm to 12.0µm and beyond, achieved through Selex ES' unrivalled MCT material growth capability.

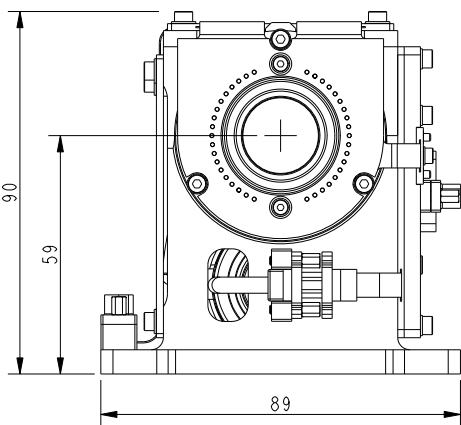
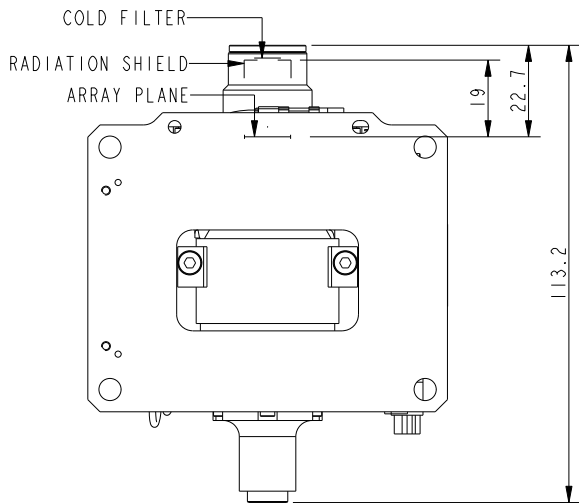
The Sprint Module™ is based on a high-speed digital-readout circuit ideally suited for fast framing spectral analysing systems.

The Sprint Module™ incorporates a split cycle Stirling Cooling Engine with built in balancer for low vibration, and state of the art Dewar assembly and proximity electronics assembled into a simple to integrate module.

The Sprint Module™ is a high-performance, lightweight, low-power sensor module designed for fast frame-rate scientific applications.

KEY CAPABILITIES

- 384 pixels x 384 pixels array format
- Windowing function down to 16 x 16 pixels
- 20µm pitch
- High speed digital readout
- Offered with low vibration Stirling cooling engine
- Supplied with integrated read-out electronics
- Integrate while read mode of operation
- Fast frame rate >1000fps for full 384 x 384 array
- Low vibration cooler



TECHNICAL SPECIFICATION

Format

- Array - 384 pixels × 384 pixels
- Pixel Pitch - 20µm
- Active area - 7.68mm × 7.68mm

Typical performance

- NETD (median) - 24mK at half-well fill
- Pixel operability - 99%

Interface parameters

- Video - Uncorrected 14-bit digital data
- Interface-Medium Configuration Channel Link
- Configuration control-bi-directional serial digital control port
- Pixel data rate - 160 million pixels per second
- >1000fps for full 384 pixels x 384 pixels array
- Supply voltages - 28V for cooler, 12V for remaining system
- Pixel charge capacity - 12 million electrons
- Frame synchronisation-External Frame Demand input (high-speed LVDS) or free-running with programmable frame rate

Physical

- Weight 1kg (2.2lb)
- Steady state power consumption 13W typical at 23°C
- Operating temperature range -40°C to +71°C



For more information please email infomarketing@selex-es.com

Selex ES Ltd - A Finmeccanica Company

First Avenue - Millbrook Industrial Estate - Southampton - Hampshire - SO15 0LG - Tel: +44 (0) 2380 702300

This publication is issued to provide outline information only and is supplied without liability for errors or omissions. No part of it may be reproduced or used unless authorised in writing.

We reserve the right to modify or revise all or part of this document without notice.

2014 © Copyright Selex ES Ltd

www.selex-es.com

LND MM07654 03-14