

SPN-730 LPI NAVIGATION RADAR

The SPN-730 is a Low Probability of Intercept (LPI) navigation radar, designed to provide excellent detection features combined with silent mission capability. Easy to install on any type of combat vessel, SPN-730 is an I-band LPI pulsed radar using solid state technology and assures effective integration with on-board Electronic Support Measures (ESM).

GENERAL DESCRIPTION

The SPN-730 comprises two units that, if required, can be supplied already integrated with a conventional navigation radar to provide a LPI operational mode. When low interceptability against ESM or Anti Radiation Missiles (ARM) is required, the SPN-730 provides high LPI performances, while ensuring continued excellent detection capabilities. The SPN-730 is highly modular and comprises the Transmitter-Front-End Receiver Unit, the Digital TX RX/ Processor Unit and a RF switch to interface existing antenna

SPN-730 can be installed with:

- standard Navigation Antenna Group (slotted array)
- standard ARPA console.

Key features

- LPI Pulsed Radar with Power Management
- compact, modular, lightweight
- solid state transmitter, intrinsic coherent architecture
- digital compressed pulses
- interfaced with on-board Electronic Warfare devices without degradation of their performance
- frequency agility, PRF jittered
- high resistance to ECM
- standard video output and control signals for easy integration with ARPA and/or multifunctional consoles
- sector blanking transmission
- plot Extraction/Track-While-Scan option
- pulse Doppler growth capability.

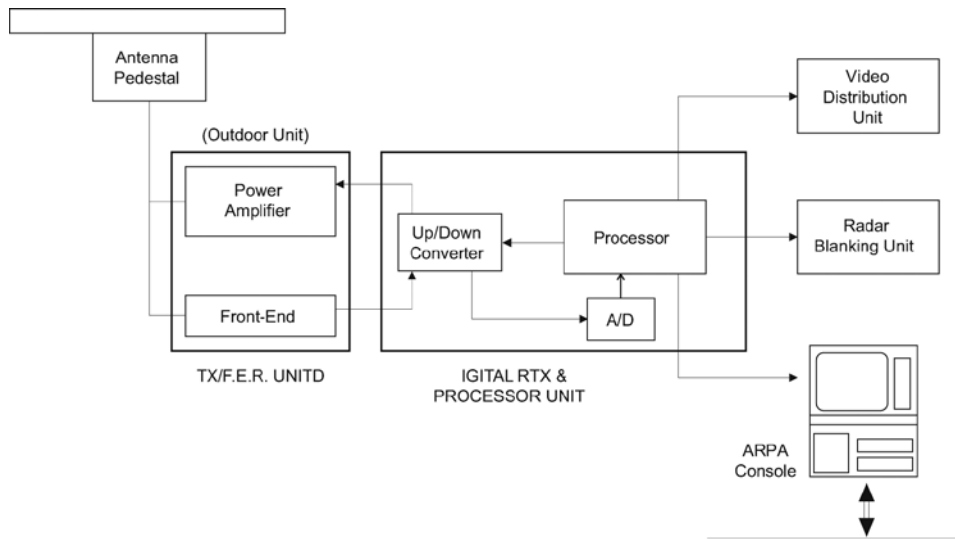
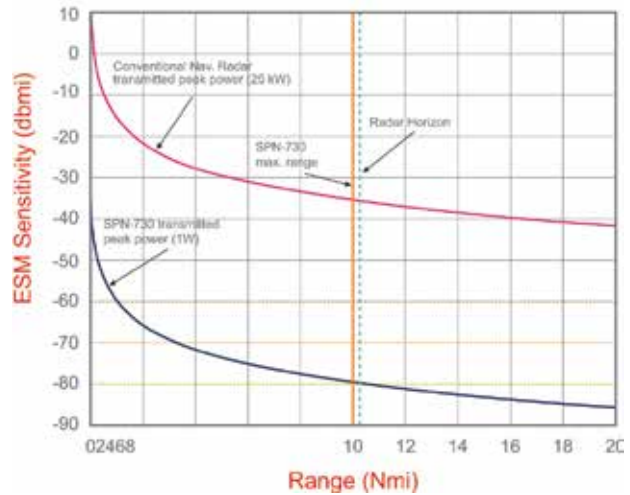
SPN-730 LPI radar can perform various operational modes:

- navigation, short-medium range, high resolution, fully compliant with IMO requirements
- surveillance, long range search
- exploiting sector scan transmission and high range resolution, helicopter decking control can also be provided.

Options

- a high resolution in range (up to 1.5 metres) can be performed in a selected area of the radar map
- due to the coherent architecture, an additional Doppler processing SW package can be added to provide clutter free naval and air targets detection.

SPN-730 Interceptability



BPS-730

A version of the SPN-730 kit can be used on-board submarines: the BPS-730 is suitable for integration with dedicated antenna to comply with combined LPI and detection performances. BPS-730 can be supplied in two versions: Down-mast (shown) and UP mast.

To avoid a liftable waveguide path, the TX-FER unit is connections.

